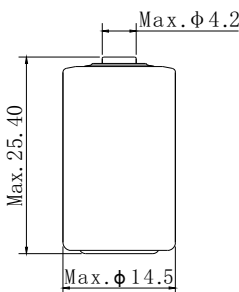
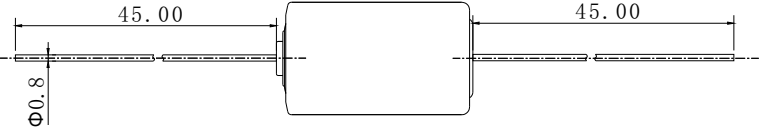
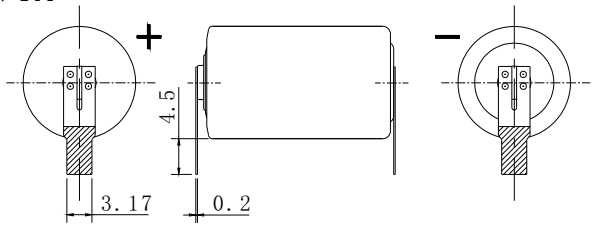
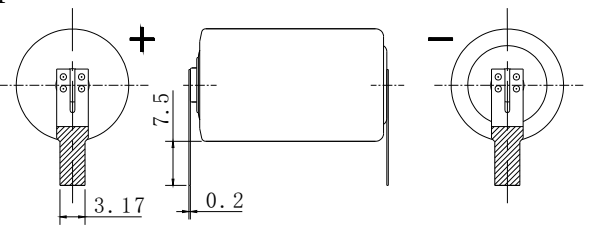
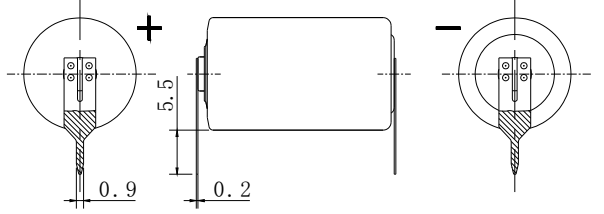
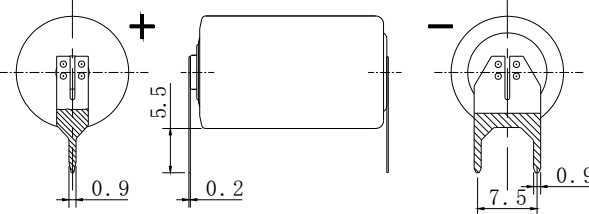
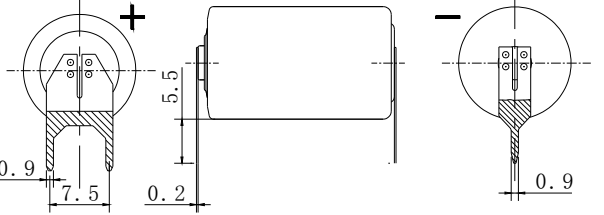
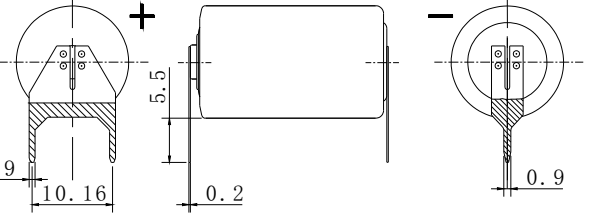
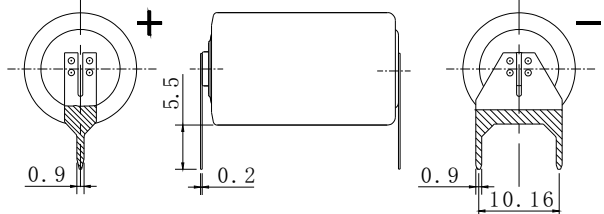
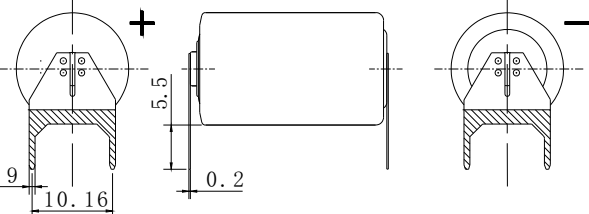


ER CELL TAB CONFIGURATIONS

<p>/S</p> 	<p>/P</p> 
<p>/TA</p> 	<p>/T</p> 
<p>/2PT</p> 	<p>/3PT</p> 
<p>/3TP</p> 	<p>/3PF</p> 
<p>/3FP</p> 	<p>/4PF</p> 

Remark:
 Custom-design is available.
 Suggest use EVE's Terminals pin for standard.
 Terminals plate tin.